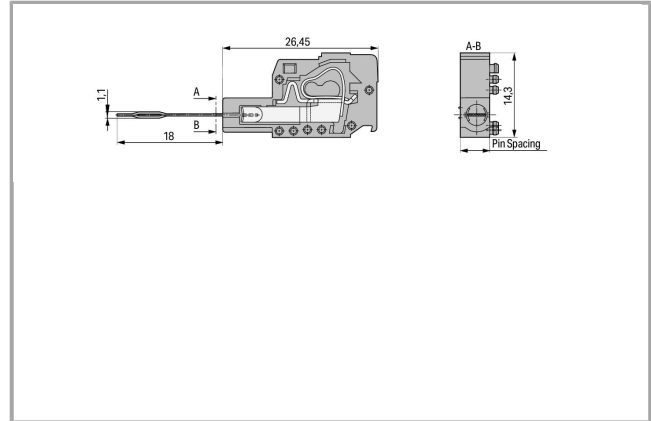
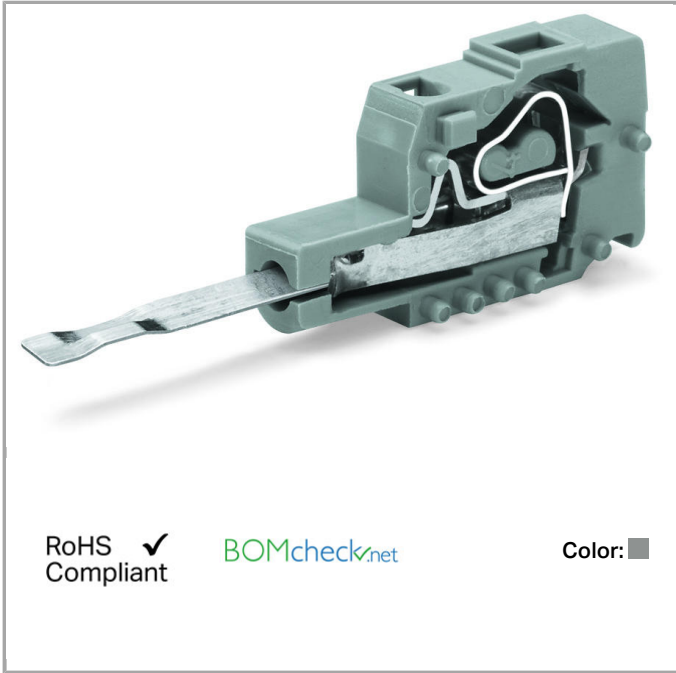


# Data sheet | Item number: 231-155

Testing plug module with contact stud; Pin spacing 5 mm / 0.197 in



231-155



## Data

### Electrical data

#### Ratings per IEC/EN 60664-1

Rated voltage (III / 2)	250 V
Rated impulse voltage (III / 2)	2.5 kV
Rated current	0.5 A

### Connection data

Connection technology	CAGE CLAMP®
Solid conductor	0.08 ... 2.5 mm <sup>2</sup> / 28 ... 12 AWG
Fine-stranded conductor	0.08 ... 2.5 mm <sup>2</sup> / 28 ... 12 AWG
Strip length	12 ... 13 mm / 0.47 ... 0.51 inch
Total number of connection points	1
Total number of potentials	1
Number of connection types	1

### Geometrical Data

Pin spacing	5 mm / 0.197 inch
-------------	-------------------

Width	5 mm / 0.197 inch
Height	14.3 mm / 0.563 inch
Depth	44.45 mm / 1.75 inch

### Mechanical data

Test contact length	18 mm
---------------------	-------

### Material Data

Color	gray
Material group	I
Insulating material	Polyamide 66 (PA 66)
Flammability class per UL94	V0
Clamping spring material	Chrome nickel spring steel (CrNi)
Contact material	Electrolytic copper (E <sub>Cu</sub> )
Contact plating	tin-plated
Fire load	0.024 MJ
Weight	1.9 g

### Environmental Requirements

Limit temperature range	-60 ... +105 °C
-------------------------	-----------------

### Commercial data

Product Group	3 (Multi Conn. System)
Country of origin	DE
GTIN	4017332315425
Customs Tariff No.	85366990990

### Compatible products

#### tools



Item no.: 210-657

Operating tool with partially insulated shaft; Blade (3.5 x 0.5) mm; short

210-657



Item no.: 210-720

Operating tool with partially insulated shaft; Type 2, blade (3.5 x 0.5) mm

210-720

#### End plate



Item no.: 231-100

End plate; 1.5 mm thick

231-100



Downloads

CAD/CAE - Smart Data

CAD data

3D Download 231-155

URL

Download

---

Subject to changes.

---